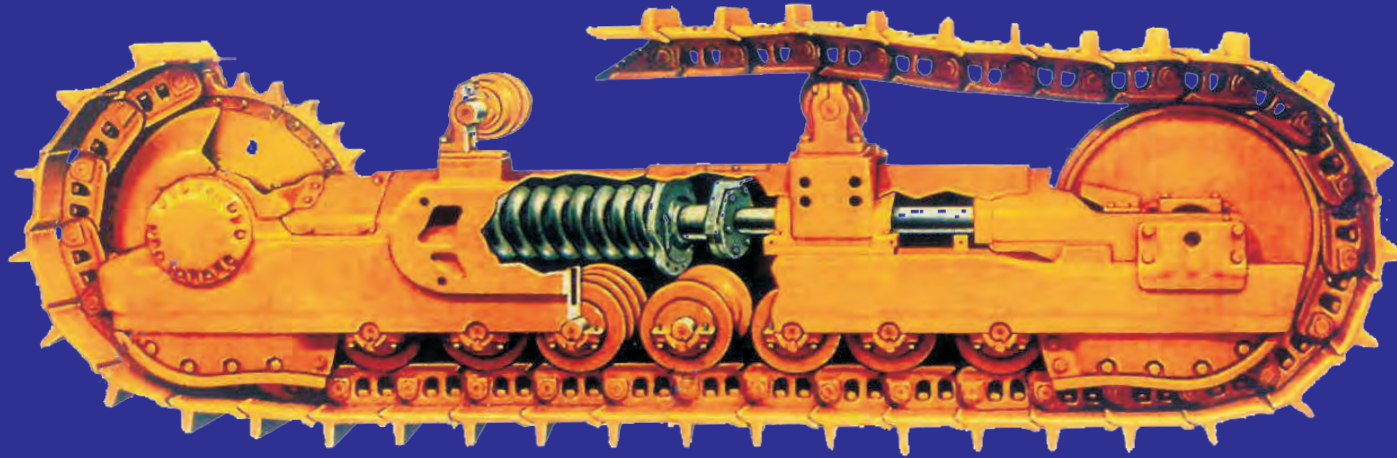


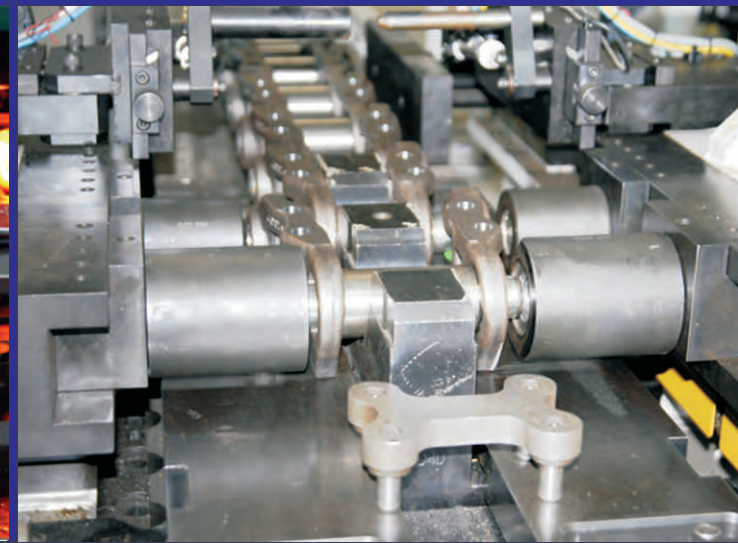
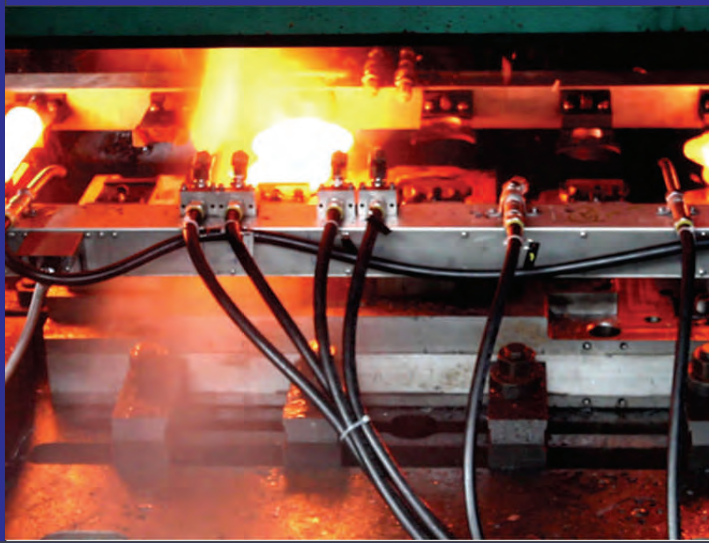


www.berch.cn



福建百奇工程机械有限公司
FUJIAN BERCH TRACTOR PARTS CO., LTD.

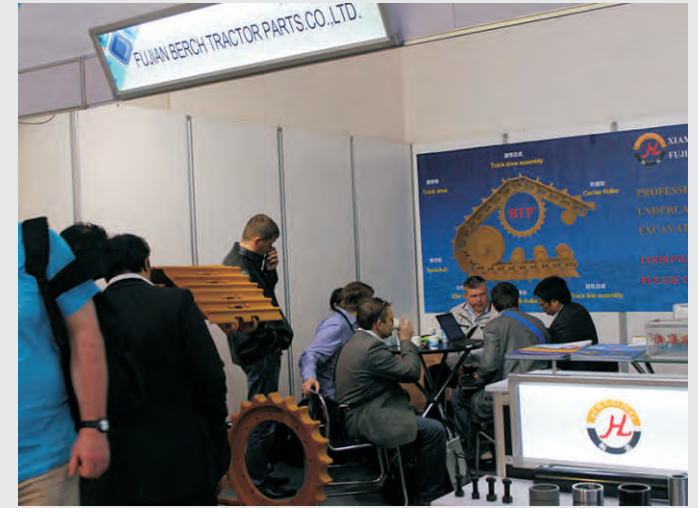
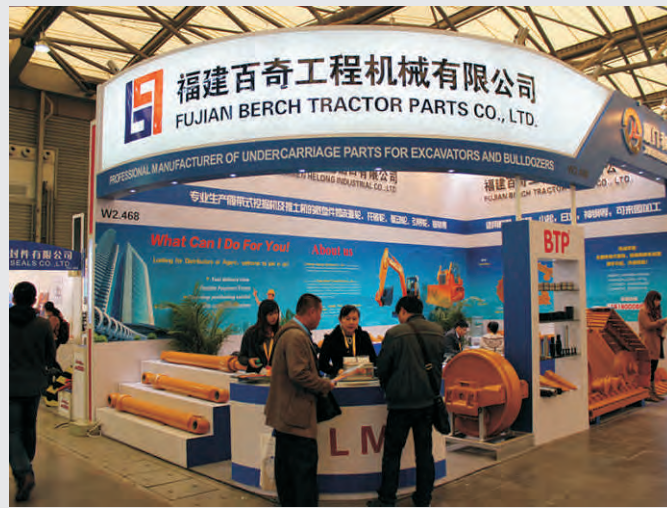
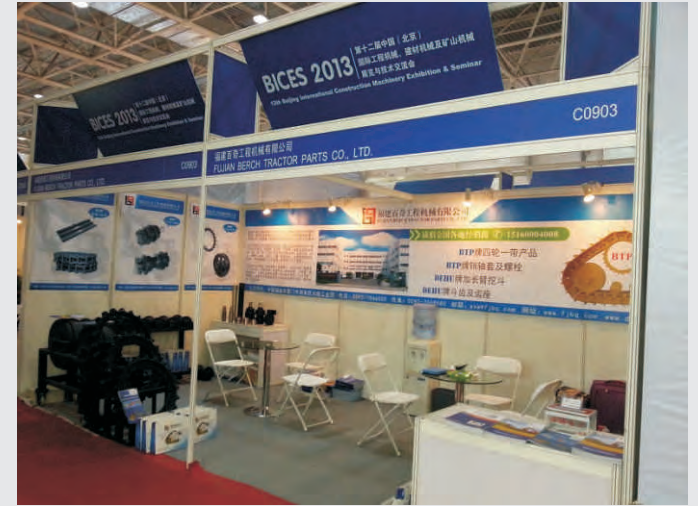
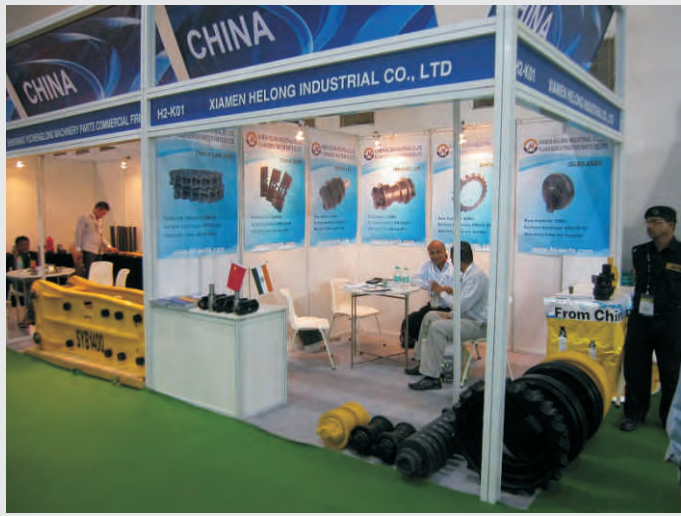
Professional manufacturer of undercarriage parts



Sales Address: Unit 801, No.5 Jinzhong Road, Xiamen, China

Tel: 0086-592-5250800 Fax: 0086-592-5250696 Email & Skype: jack@berch.cn

Professional manufacturer of undercarriage parts



Sales Address: Unit 801, No.5 Jinzhong Road, Xiamen, China

Tel: 0086-592-5250800 Fax: 0086-592-5250696 Email & Skype: jack@berch.cn

Professional manufacturer of undercarriage parts



BERCH was created to produce high quality undercarriage parts for crawler tractors such as excavators and bulldozers.

BERCH undercarriage parts have been largely exported to Europe and South American countries with one year warranty time.



HELONG is the sales and export company of BERCH, with many years exporting experience and good reputation.

Sales Address: Unit 801, No.5 Jinzhong Road, Xiamen, China

Tel: 0086-592-5250800 Fax: 0086-592-5250696 Email & Skype: jack@berch.cn

Professional manufacturer of undercarriage parts

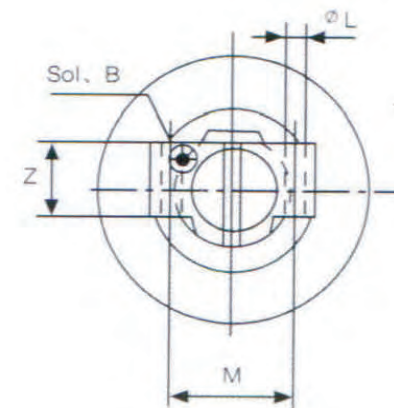
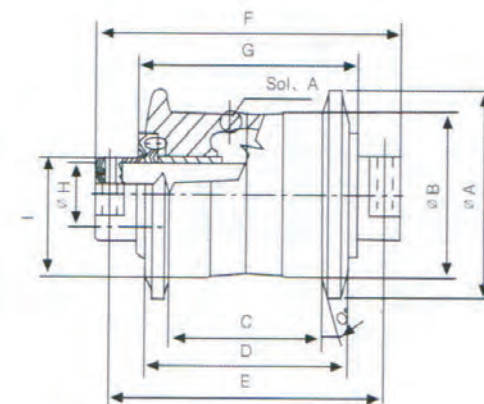
BERCH TRACK ROLLERS



BERCH track rollers are manufactured with 50Mn steel by forging. The hardness is HRC 52-57 and the deepness is 5-8mm after medium frequency quenching. We use best quality floating seals, O-rings and Bi-metallic bearings to make sure a long wear life and impact resistance.

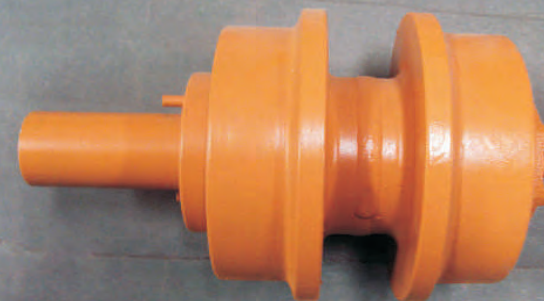
Sales Address: Unit 801, No.5 Jinzhong Road, Xiamen, China

序号	型号	A	B	C	D	E	F	G	H	I	L	M	N	O	P
1	PC60-5	158	130	110	140	205	240	150	50	95	17.5	92	45	12	
2	PC100-5	164	135	126	160	240	276	190	50	120.5	18	102	50	12	
3	PC200-3	185	150	175	226	310	356	244	60	112	17	110	55	12	
4	PC200-5	195	160	175	237	310	356	244	60	117	19	110	55	12	
5	PC300-5	212	178	198	242	320	390	256	75	133	21.5	114	70	15	
6	EX60-2	145	120	124	152	216	248	181	38	83	15	82	37	12	
7	EX100-1	170	140	148	184	250	285	206	50	100	17.5	89	50	12	
8	EX200-1	185	150	176	220	318	356	240	60	113	18	101.6	56	12	
9	EX200-2	185	150	169	218	290	218	242	65	113.5	19	101.6	62.5	12	
10	EX300-1	215	180	201	257	370	409	285	75	132	22	114	72	15	
11	EX400-1	240	200	214	284	400	447	293	85	152	23.5	125	78	15	
12	E120B	170	140	161	194	265.5	301	218	50	99	17.5	80	52	12	
13	E200B	185	150	176	220	296	335	244	60	113	21.5	98	68	12	
14	E240	192	160	178	228	330	372	244	60	98	19.5	110	42	12	
15	E325	195	160	196	240	339	385	267	65	120	22	106	65	15	
16	E300B	215	180	204	250	350	398	276	70	115.5	20	120	52.5	15	
17	SK60	145	120	108	140	200	236	160	40	75	15	70	36	12	
18	SK100	170	140	134	174	262	311	203	50	92.5	17.5	100	38	15	
19	SK200-3	185	150	173	220	310	353	230	60	101	19.5	110	45	12	
20	SK300	212	180	206	244	357.5	396	278	70	120.5	23.5	125	55	15	
21	SH120	170	140	151	190	298	333	215	50	90	17.5	89	36	12	
22	SH200	185	150	178	226	320	366	242	60	101	19.5	110	45	12	
23	SH340	192	160	178	228	370	411	248	60	106	19.5	130	45	12	
24	MS180-3	195	160	173	218	330	356	244	65	100.5	17.5	140	44	15	
25	DH220	185	150	176	220	320	356	240	60	115	18	102	58	12	



Professional manufacturer of undercarriage parts

BERCH CARRIER ROLLERS

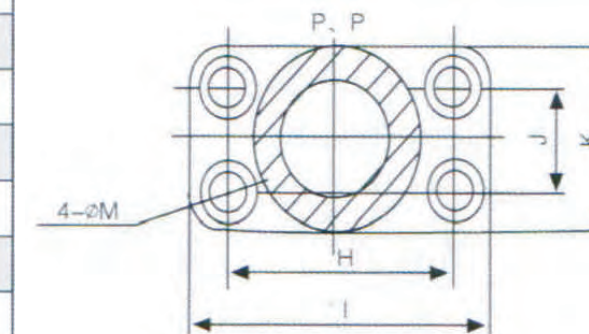
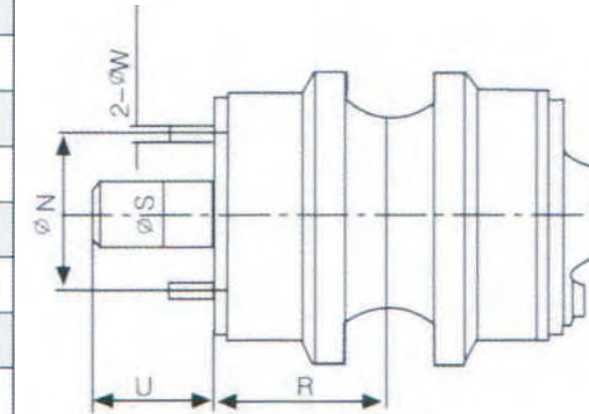
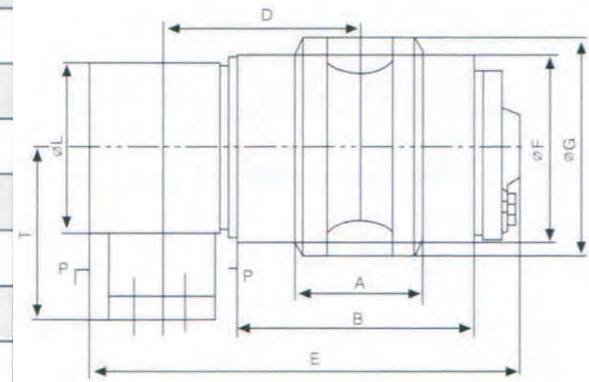


BERCH carrier rollers are produced with 50Mn steel by forging. The hardness is HRC 50-55 and the deepness is 5-7mm after medium frequency quenching. We use the same floating seals, O-rings and Bi-metallic bearings as track rollers.

Sales Address: Unit 801, No.5 Jinzhong Road, Xiamen, China

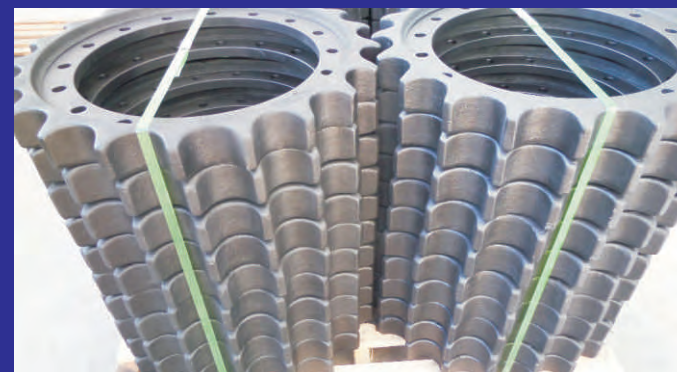
Tel: 0086-592-5250800 Fax: 0086-592-5250696 Email & Skype: jack@berch.cn

序号	型号	A	B	D	E	F	G	H	I	J	K	L	M	N	R	S	T	U	W
1	PC60-5	50	120	100.5	197	120	130	110	140	42	72		13.5			45	72		
2	PC100-5		120	100.5	197	120		110	140	42	72		13.5			45	72		
3	PC200-5	80	164			140	165								113	55		78	
4	PC300-5	96	210			168	200								117.5	58		90	
5	EX100-1	68	120	96.5	190.5	120	140	110	145	35	66		14			45	53		
6	EX200-1	80	150	112.5	225	150	170	124	165	35	66		18			45	53		
7	EX200-2	80	150	113	237	120	140	124	165	35	66		18			45	58		
8	EX300-1	100	166	121	253	120	140	124	160	35	66		17			45	57		
9	E120B	68	142			108	130								103.5	42		55	
10	E200B	80	164			125	190								106	47		86	
11	E325	94	194			160	190								118.5	47		74	
12	SK100		130			98									84.5	40		48	
13	SK200-3	80	150			120	140								96	46		83	
14	SK220	96	174			120	140								100	46		67	
15	SH120	68	128	103.5	205	118	140	120	165		60		17.5			45	48		
16	SH200	80	164	118.5	238	125	150	140	185		60		21.5			45	50		
17	DH220	84	180	154	338	140	165	124	165	50	50		18			50	116		
18	D3C	57	135			151	175							77.78	91	41.3		84	8
19	D31	52	124			142	170							70	79	44		83	5
20	D4D	71	149			151	175							77.78	94.5	41.3		88	8
21	D5D	84	180			171.5	199							77.7	115	47.7		86	8
22	D50	82	176			165	190							74	120.5	55		80	6
23	D60	100	200			185	215								108	61		93	
24	D7G	98	204			190	220							98.43	119	57		110	8
25	D85	94	212			180	210							114	119	58		125	6



Professional manufacturer of undercarriage parts

BERCH SPROCKETS

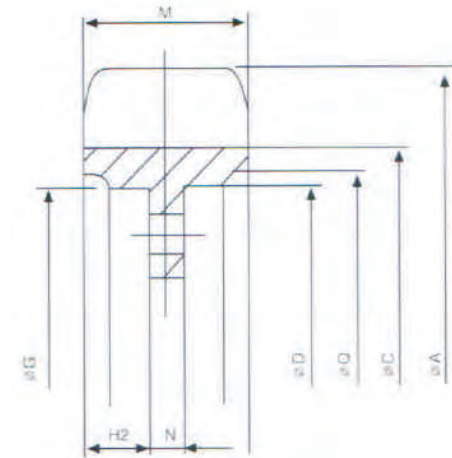
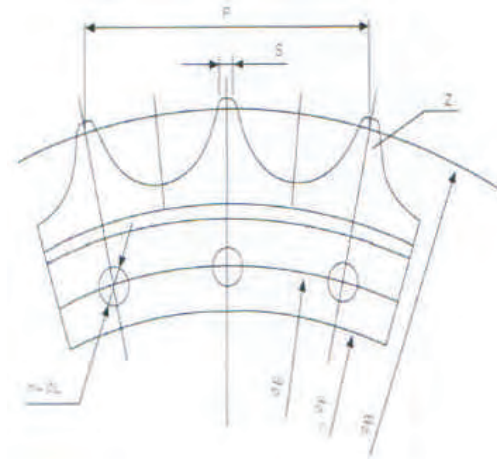


BERCH sprockets are manufactured with 40Mn steel by casting. The hardness is HRC 47-52 and the deepness is 11-13mm at the top and 4-6mm at the bottom after medium frequency quenching. We are developing forging sprockets to get better quality and appearance.

Sales Address: Unit 801, No.5 Jinzhong Road, Xiamen, China

Tel: 0086-592-5250800 Fax: 0086-592-5250696 Email & Skype: jack@berch.cn

序号	型号	A	B	Q	C	D	E	F	G	H2	N	M	Z	n-φL	P
1	PC60-5	512	500.4	428	455.6	360	300	265	336	12	17	38	23	12-φ17	135
2	PC100-3	632	619.2	540	572	420	364.5	324	415	18	23	48	25	15-φ17.5	154
3	PC100-5	606	595.1	515	545.5	410	364.5	324	410	20	16	42	21	15-φ17.5	175.4
4	PC200-5	660	644.6	558	584	550	506	475	545	42	18	73	21	20-φ19	190
5	PC300-5	728	720.5	622	652	608	560	525	610	47	19	86	22	20-φ21.5	203
6	EX60-2	532	522.5	440	470	407	365	330	407	15	17	48	21	12-φ17.5	154
7	EX100-1	592	580.4	493	527	436	396	356	436	24	16	64	21	16-φ18	171.07
8	EX200-1	660	648.6	552	588	512	465	415	512	20	22	70	23	16-φ21.5	175
9	EX200-2	656	644.6	552	584	526	480	432	526	22	17	71	21	16-φ22	190
10	EX200-3	656	644.6	552	585	528	465	420	528	29	21	74	21	16-φ21.5	190
11	EX300-1	701	688.7	590	620	564	514	466	564	24	26	72	21	16-φ23	203
12	EX300-2/3	701	688.7	590	620	564	513	464	564	24	26	72	21	20-φ21.5	203
13	EX300-5	745	732.5	620	655	575	530	481	575	32	24	88	21	20-φ21.5	215.9
14	EX400-1	821	800.2	675	728	655	605	556	655	36	28	90	23	24-φ24	215.9
15	E120B	594	580.1	495	528	430	388	346	430	17	20	55	21	15-φ17.5	171
16	E200B	663	644.6	540	581	515	455	415	512	19	22	64	21	14-φ22	190
17	E300B	766	752.4	645	680	545	490	450	545	37	28	76	23	16-φ21.5	203
18	SK100	598	580.4	510	528	405	364.5	324	397	22	19	48	21	15-φ18	171.07
19	SK200-3	660	644.6	550	582.5	505	450	410	505	19.5	26	65	21	22-φ19	190
20	SH120	645	634	544	580	410	364.5	324	410	17	20	55	23	15-φ17.5	171.07
21	SH200	655	644.6	530	580	480	440	403	480	19	22	64	21	22-φ17.5	190
22	SH430	765	752.4	628	685.4	536	490	451	536	27.5	35	85	23	20-φ21.5	203
23	D31-18新	636.4	619.2	543	573	300	260	225	300	64.7	18	47.5	25	16-φ17	154
24	D50	775	758.3		700		600		660	29	18	75	27	27-φ19.5	175
25	D60	894	880.3		810		705		760	33	20	86	27	27-φ23.5	203
26	D7G	880	868.6		794	750	692	632	750	35	19	89	25	20-φ21	216
27	D85	880	868.6		794	750	700	650	750	34	22	90		25-φ23.5	216



Professional manufacturer of undercarriage parts

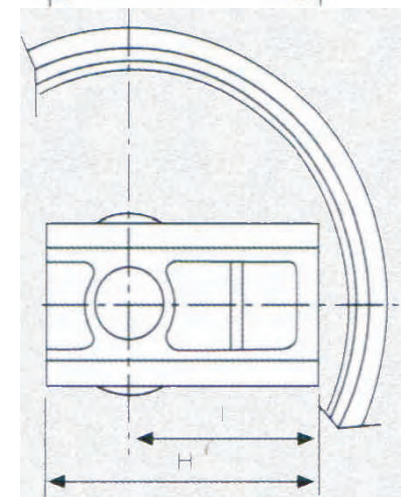
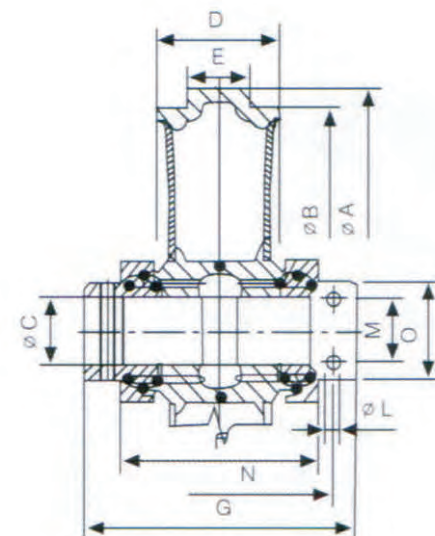
BERCH IDLERS



BERCH idlers are manufactured with 40Mn steel by casting. The hardness is HRC 52-57 and the deepness is 5-8mm after medium frequency quenching. We are developing forging idlers to get better quality and appearance.

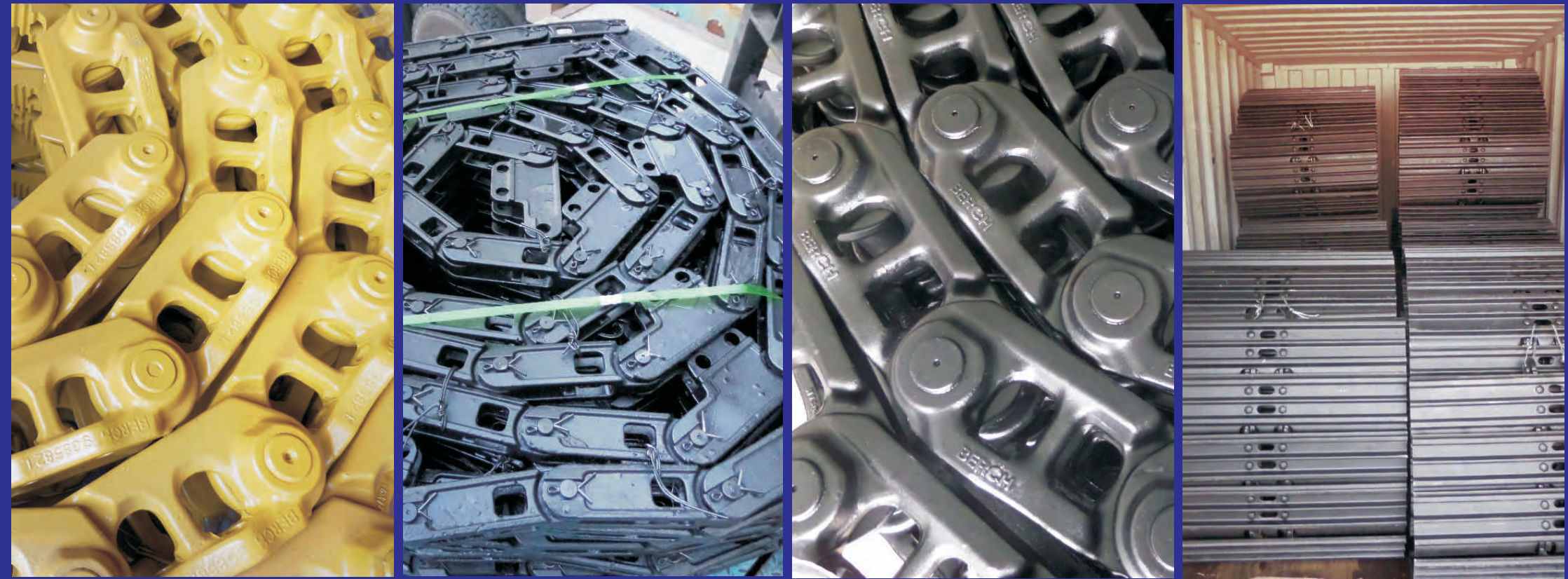
Sales Address: Unit 801, No.5 Jinzhong Road, Xiamen, China

序号	型号	A	B	C	D	E	F	G	H	I	L	M	N	O	P
1	PC60-5	445	415	50	100	45	162	248	284	210	M14	40	200	70	
2	PC100-5	525	490	60	115	52	184	266	350	302	M14	44	227	82	
3	PC200-3	560	520	65	160	84	247	343	338	290	M16	65	280	105	
4	PC200-5	555	520	65	160	84	246	343	252	196	M16	65	280	105	
5	PC300-3	630	590	75	190	105	260	406	386	329	M20	60	300	120	
6	PC300-5	630	590	80	190	105	260	408	312	250	M20	60	360	120	
7	EX100-1	490	450	65	134	68	220	298	135	80	M16	70	262	98	
8	EX100-3	490	450	65	134	68	220	298	135	80	M16	64	262	98	
9	EX200-1	545	510	65	160	80	228	343	135	85	M16	64	285	110	
10	EX200-5	537	500	75	158	86	236	351	135	80	M16	64	287	108	
11	EX300-1	575	530	85	204	103	252	375	186	130	M16	70	324	115	
12	EX400-1	670	630	85	202	107	272	384	216	108	M20	85	330	145	
13	E120B	480	450	60	130	70	185	256	330	270	M16	46	216	80	
14	E200B	540	500	65	160	80	208	343	380	300	M16	60	270	115	
15	E325	580	540	75	190	90	240	374	384	329	M20	60	290	120	
16	E300B	664	624	80	188	94	215	390	180	85	M20	70	342	130	
17	SK100	480	450	60	130	70	200	292	265	200	M12		240	76	
18	SK200-3	540	500	65	160	84	222	321	322	248	M16		280	100	
19	SH120	540	500	60	140	68	190	300	82	20	M16	80	265	110	
20	SH200	540	500	65	160	80	208	321	100	40	M16	90	285	120	
21	SH300	670	630	85	202	107	246	384	216	108	M16	90	345	137	
22	SE210	585	550	75	160	84	260	350	410	330	M16	60	300	105	
23	SE280	638	594	85	204	104	290	407	396	288	M16	65	360	110	
24	MS180-8	550	510	70	160	84	194	350	145	73	M16X1.5	60	300	125	
25	DH220	540	500	65	160	80	214	350	135	85	M16	64	286.5	108	



Professional manufacturer of undercarriage parts

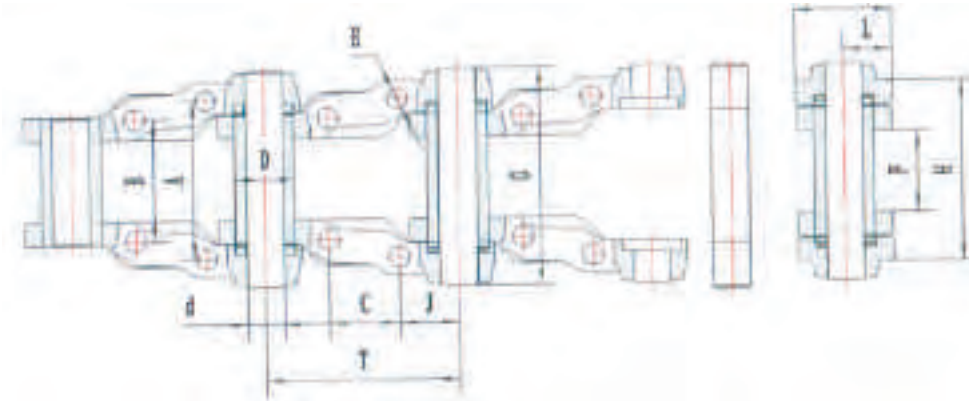
BERCH TRACK CHAINS



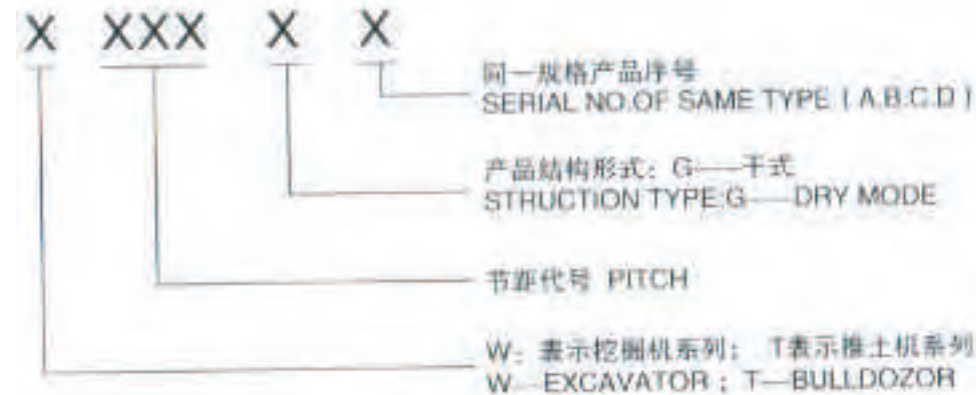
BERCH track chains are manufactured with 35MnB steel by forging. The hardness is HRC 52-57 and the deepness is 6-8mm after medium frequency quenching. We are developing lubricated track chains for bulldozers such as D65, D85, D155, D6D, D7G, D8K etc. Track Shoes are also available to supply.

Sales Address: Unit 801, No.5 Jinzhong Road, Xiamen, China

序号	型号	T	A	B	C	D	d	E	F	G	H	J	K	L	适用机型
1	W101GA	101	55	55	22	32	19	10.5	35	94	76	40	63	37	EX35 YC35-6/7*41
2	W135GA	135	85	55	46	35	22.5	12.5	31.6	114	78.6	41	65	35	PC40-5
3	W135GB	135	93.8	63.8	46	35	22.5	12.5	40.4	124	87.4	41	65	35	PC40-7/8*41
4	W135GC	135	99	72	43.2	41	24	12.5	44	141	108	42.5	75	40	PC60-5*42 D20*42
5	W140GA	140	86	86	52	40	28	14.5	55	139	115	44	75	40	YC85*42
6	W154GA	154	90	90	55	46.3	30	14.5	56	158	127	47.5	80	42	EX60*37
7	W154GB	154	89	73	57	41.2	24	14.5	45	130	104.2	44	74	40.5	PC60-6/7*38 PC75*39
8	W154GC	154	112.4	82.4	57	46.3	30	14.5	49.4	170	125.4	44	87	47	PC100-3*42 D31*40
9	W171GA	171	108	108	60.3	47	30	16.5	58.6	170	129	55.57	90.2	49.5	SK100*41 SK120*43
10	W171GB	171	108	108	60.3	50.3	33.5	16.5	70	181	144.8	55.57	95	51	EX100*41 E312*46 E120B*43 SH120*44 EC140*46
11	W171GC	171	144.5	125.4	58.7	54	36.65	16.5	83.5	212	167.5	56.3	101.6	58.8	R300*50 SE210-1*50 SE210LC*54 R210LC-2
12	W175GA	175	102.4	86.4	57	46.3	30	16.5	50.4	170	122.4	54	86	47	PC100-5/6*40 PC120-6*42
13	W175GB	175	158.4	122.4	57	55	38	18.5	84.6	218	173.2	54	101.5	58.8	HD700 HD770 DH800
14	W175GA	175.4	144.5	125.4	58.7	58.75	36.5	18.5	77.5	214	169.5	57.2	103.2	59.7	EX200-1*48 SH280*49
15	W190GA	190	155.6	119.6	69	58.8	36.6	20.5	82.2	220	174.2	58	106	60	E200B*45 SH200*46 SK200*46 E320*45
16	W190GB	190	160.4	124.4	62	59	38	18.5	81.6	220	174	58	105	58	PC200-3/6 PC220-1/23*47 EX200-25*45 ZX210*46
17	W190GC	190	160.4	124.4	62	59	38	20.5	81.6	220	174	58	105	58	PC200-5/6/7*45 DH220-5*49 EX220*47
18	W203GA	203	178.4	138.4	72	66.8	44.6	20.5	101.6	244	201.6	58	116.4	64.4	EX300-1*47 PC300-2*45
19	W203GB	203	178.4	138.4	72	66.8	44.6	22.5	101.6	244	201.6	58	116.4	64.4	PC300-5*47
20	W203GC	203	179	129	72	64	42	20.5	94	235	194	62	115	64	E325*48
21	W203GD	203	186.2	148.2	76.2	66.8	44.6	19.5	112.4	254	212.4	58	116.4	64.4	R94*51
22	T203GA	203	178.4	138.4	72	66.8	44.6	18.5	101.6	244	201.6	58	116.4	64.4	D60*37 D65*37 TY160*37
23	T203GB	203	184	146	72	66	45	20.5	108	250	208	60	115	63	T160*38 T140*38 T120*38
24	T203GC	203	171.4	133.4	76.2	69.7	44.5	19.5	102.4	232	193	58	121.5	69	D6D*36
25	T203GD	203	185.3	137.3	68	72.7	44.5	20.5	101.3	232	192.3	64	125	72	D6H*39
26	W216GA	216	178.4	140.4	76.2	66.5	44.6	22.5	101.6	242	197.6	63	116	64	PC300-6/7*45 EX300-5*45
27	W216GB	216	184	146	76.2	71	47	22.5	106	252	209.2	63	129	70	EX400-1*49 PC400-1/3*49 DH450*53
28	W216D	216	190	140	76.2	68	46	22.5	103	248	211	69	124	68	E330*45
29	W216GC	216	184	146	76.2	74.3	47	24.5	106	252	209.2	63	129	70	PC400-35*49 SH330*51 SH300 PC410-5
30	W216GD	216	184	146	76.2	74.3	47	20.5	106	252	209.2	63	129	70	D80*38 D85*38 TY220*38 TY230*38
31	W216GE	216	184	146	76.2	71	47.7	19.5	108	252	208	64.3	125.5	70	D7G*38
32	W228GA	228	184	144	76.2	71.5	47	24.5	109	254	210	71.4	129	70	PC400-6*46
33	T228GA	228	219	169	76.2	79	48.5	24.5	121.6	292	244	71.4	138	78	D155*41 D150*41 TY320-41
34	T228GC	228	201.6	169.8	76.2	80.4	50.8	23	121.6	292	244	71.4	138	78	D8K*38
35	W260GA	260	235	184.2	76.2	85.3	57	27.5	133	321	266.2	87.3	152	79	EX700*47 ZX1000*51
36	T260GA	260	235	184.2	76.2	92	57	27.5	133	321	266.2	87.3	160	85	D355*39 PD410*40 D9H D9G



产品型号表示方法: TYPE DENOTATION



Professional manufacturer of undercarriage parts



Sales Address: Unit 801, No.5 Jinzhong Road, Xiamen, China

Tel: 0086-592-5250800 Fax: 0086-592-5250696 Email & Skype: jack@berch.cn